

Cleats & Cable Fixings

Recommended for Prysmian's FP400 & FP600S cables

Cast Iron Two Bolt Cleat

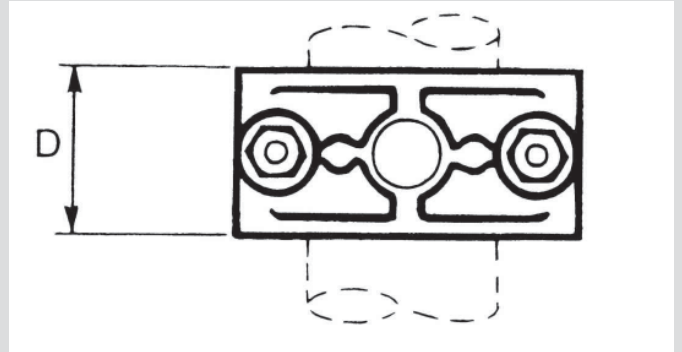
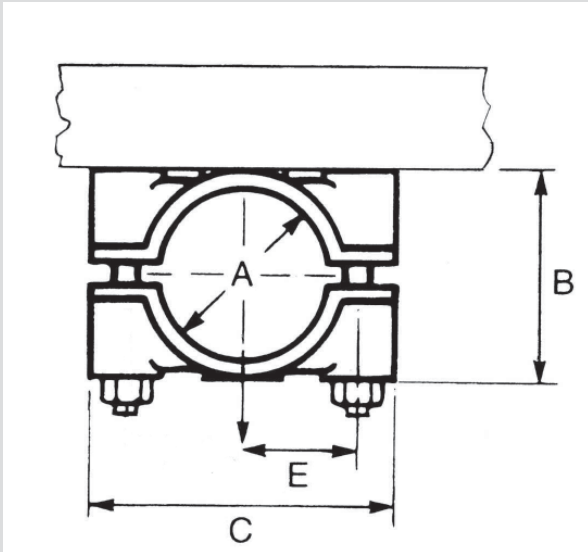


Description

- > Suitable for use with cables from 51 to 89 mm in diameter
- > Available in 7 sizes
- > Can be used for all types of cable routes
- > Hot dip galvanised finish on cast iron
- > Operating temperature -60°C to +100°C, can withstand 2 hours excursion to 1000°C
- > Two-piece, two fixing design
- > Can be double stacked on common fixings



Cast Iron Two Bolt Cleat



Cable and Cleat Details

Cable & Cleat Selection Design Number	Cable Diameter A (mm)		Cleat Details				Approx. Weight g	Stud Size
			Dimensions (mm)					
			B	C	D	E		
Min	Max							
370CG10	51	59	75	98	49	38	902	M10
370CG11	54	62	78	102	49	40	892	M10
370CG12	57	65	81	105	49	41	854	M10
370CG13	62	70	89	137	64	57	1155	M10
370CG14	68	76	95	140	64	57	1245	M12
370CG15	74	82	102	140	64	57	1300	M12
370CG16	80	89	108	140	64	57	1582	M12

METHOD OF FIXING

In all applications the cleats should be mounted on suitable fixings, see table for appropriate size.

When mounting directly on "Unistrut" or "Leprack" type channel, adaptor plates 380AG02 or 380AG03 should be used. (Please see separate datasheet).